



PROPRIETARY NOTE
THIS SPECIFICATION IS THE PROPERTY OF BOEDT AND SHALL NOT BE REPRODUCED OR COPIED WITHOUT THE WRITTEN PERMISSION OF BOEDT AND MUST BE RETURNED TO BOEDT UPON ITS REQUEST

SPEC. NUMBER
S8-65-6A-85

PRODUCT GROUP
TFT-LCD

Rev.O


ISSUE DATE
2015.01.09

PAGE
1 OF 32

PRODUCT SPECIFICATION FOR APPROVAL

Model Name	NT116WHM-N11
Description	11.6 HD color TFT-LCD with LED backlight / Anti-Glare surface
Prepared by	Haven Zhang/ Engineer
Checked by	Jonathan Jia /Manager
Approved by	Charles Hou/ Dept. Manager

Customer	Lenovo
<p>_____</p> <p>_____</p> <p>_____</p>	
<p>_____</p> <p>_____</p> <p>_____</p>	
<p>Please return one copy for confirmation with your signature and comments</p>	

 京东方 BOE	PRODUCT GROUP		REV	ISSUE DATE
	TFT- LCD PRODUCT		O	2015.01.09
SPEC. NUMBER S8-65-6A-85	BOE NT116WHM-N11 Product Specification		Rev.O	PAGE 2 OF 32
REVISION HISTORY				
REV.	ECN No.	DESCRIPTION OF CHANGES	DATE	PREPARED
P0		Initial Release	2014.02.18	刘亚亮
P1		Update EDID Page 30-32	2014.12.15	Haven
O		Got Approval, update to "O" Revision	2015.01.09	Haven

R2010-6053-O(2/3)

A4(210 X 297)

 京东方 BOE	PRODUCT GROUP	REV	ISSUE DATE
	TFT- LCD PRODUCT	O	2015.01.09
SPEC. NUMBER S8-65-6A-85	BOE NT116WHM-N11 Product Specification	Rev.O	PAGE 3 OF 32

Contents

No.	Items	Page
1.0	General Description	4
2.0	Absolute Maximum ratings	6
3.0	Electrical specifications.	7
4.0	Optical specifications.	10
5.0	Interface Connection	15
6.0	Signal Timing Specification	18
7.0	Signal Timing waveforms	19
8.0	Input Signals, Display Colors & Gray Scale of Colors	20
9.0	Power Sequence	21
10.0	Connector description	22
11.0	Mechanical Characteristics	23
12.0	Reliability Test	24
13.0	Handling & Cautions.	24
14.0	Label	25
15.0	Packing information	27
16.0	Mechanical Outline Dimension	28
17.0	EDID Table	30

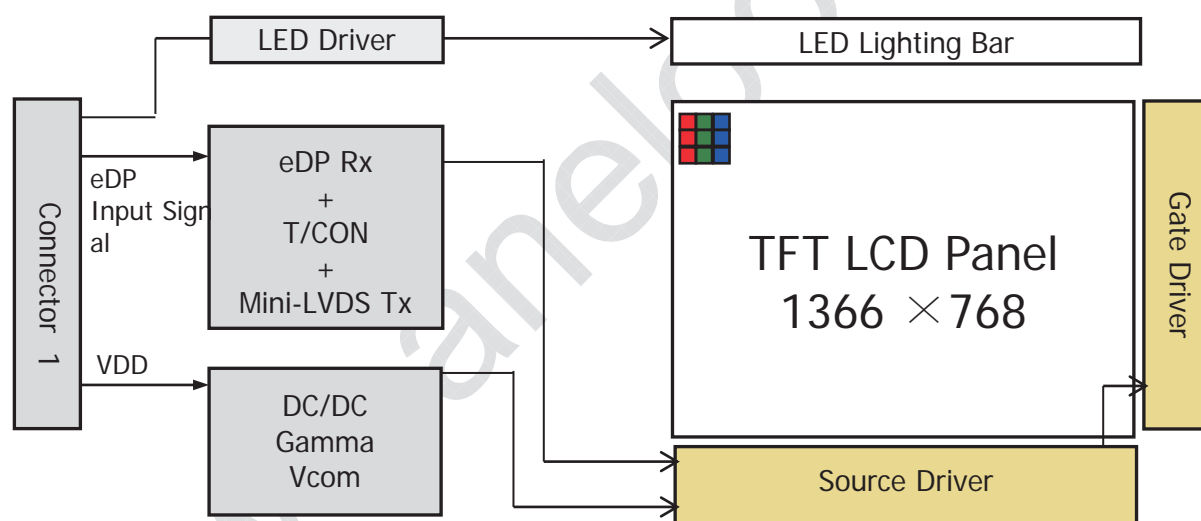
 京东方 BOE	PRODUCT GROUP	REV	ISSUE DATE
	TFT- LCD PRODUCT	O	2015.01.09
SPEC. NUMBER S8-65-6A-85	BOE NT116WHM-N11 Product Specification	Rev.O	PAGE 4 OF 32

1.0 GENERAL DESCRIPTION

1.1 Introduction

NT116WHM-N11 is a color active matrix TFT LCD single cell using amorphous silicon TFT's (Thin Film Transistors) as an active switching devices. This module has a 11.6inch diagonally measured active area with HD resolutions (1366 horizontal by 768 vertical pixel array). Each pixel is divided into RED, GREEN, BLUE dots which are arranged in vertical stripe and this module can display 262,144 colors. The TFT-LCD panel used for this module is adapted for a low reflection and higher color type. Therefore, this module is suitable for Notebook PC. The LED Driver for back-light driving is built in this model.

All input signals are eDP interface compatible.



1.2 Features

- 1 lane eDP Interface with 2.7Gbps Link Rates
- Thin and light weight
- 6-bit color depth, display 262K colors
- Single LED Lighting Bar. (Top side/Horizontal Direction)
- Data enable signal mode
- Side Mounting Frame
- Green Product (RoHS & Halogen free product)
- On board LED Driving circuit
- Low driving voltage and low power consumption
- On board EDID chip

 京东方 BOE	PRODUCT GROUP	REV	ISSUE DATE
	TFT- LCD PRODUCT	O	2015.01.09
SPEC. NUMBER S8-65-6A-85	BOE NT116WHM-N11 Product Specification	Rev.O	PAGE 5 OF 32

1.3 Application

- Notebook PC (Wide type)

1.4 General Specification

The followings are general specifications at the Module NT116WHM-N11.

<Table 1. General Specifications>

Parameter	Specification	Unit	Remarks
Active area	256.125 (H) × 144.00 (V)	mm	
Number of pixels	1366 (H) × 768 (V)	pixels	
Pixel pitch	0.1875(H) × 0.1875(V)	mm	
Pixel arrangement	RGB Vertical stripe		
Display colors	262K	colors	
Display mode	Normally White		
Dimensional outline	268±0.5(H)*168±0.5(V)*3.6(Max)	mm	
Weight	235 (max)	g	
Surface treatment	7H		
Back-light	Upper edge side, 1-LED Lighting Bar type		Note 1
Power consumption	P _D : 1.1 (max)	W	Note 2
	P _B L : 1.8 (max)	W	
	P _{total} : 2.9 (max)	W	

Notes : 1. LED Lighting Bar (24*LED Array)

Notes: 2. Typical Measurement Condition : Windows XP Pattern



PRODUCT GROUP

REV

ISSUE DATE

TFT- LCD PRODUCT

O

2015.01.09

 SPEC. NUMBER
S8-65-6A-85

BOE NT116WHM-N11 Product Specification

Rev.O

 PAGE
6 OF 32

2.0 ABSOLUTE MAXIMUM RATINGS

The followings are maximum values which, if exceed, may cause faulty operation or damage to the unit. The operational and non-operational maximum voltage and current values are listed in Table 2.

< Table 2. Absolute Maximum Ratings >

$T_a = 25 \pm 2^\circ\text{C}$

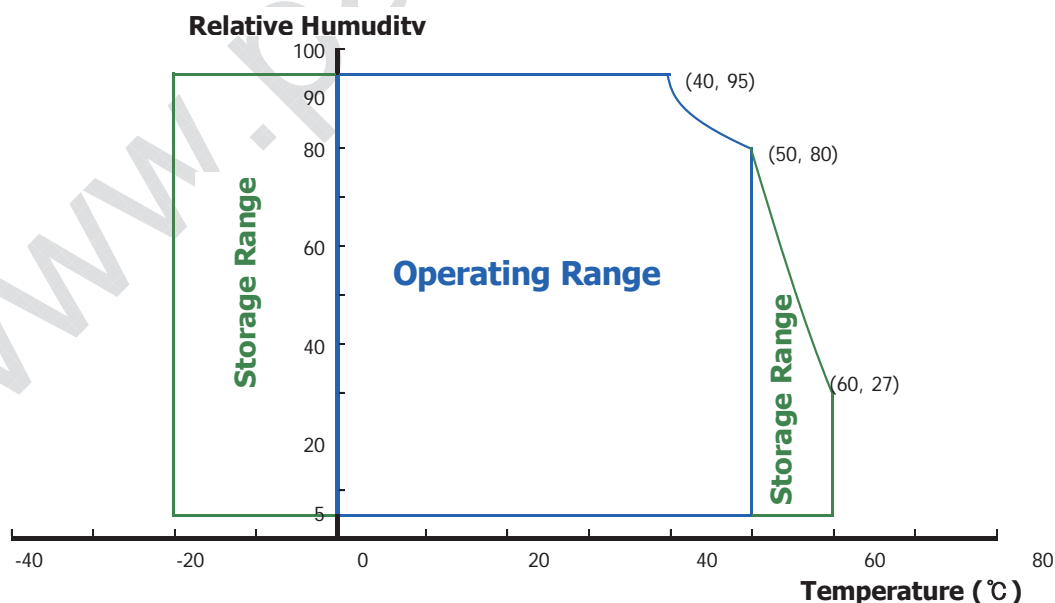
Parameter	Symbol	Min.	Max.	Unit	Remarks
Power Supply Voltage	V_{DD}	-0.3	4.0	V	Note 1
Logic Supply Voltage	V_{IN}	$V_{SS} - 0.3$	$V_{DD} + 0.3$	V	
Operating Temperature	T_{OP}	0	+50	$^\circ\text{C}$	Note 2
Storage Temperature	T_{ST}	-20	+60	$^\circ\text{C}$	

Notes : 1. Permanent damage to the device may occur if maximum values are exceeded functional operation should be restricted to the condition described under normal operating conditions.

2. Temperature and relative humidity range are shown in the figure below.

95 % RH Max. ($40^\circ\text{C} \geq T_a$)

Maximum wet - bulb temperature at 39°C or less. ($T_a > 40^\circ\text{C}$) No condensation.



 京东方 BOE	PRODUCT GROUP	REV	ISSUE DATE
	TFT- LCD PRODUCT	O	2015.01.09
SPEC. NUMBER S8-65-6A-85	BOE NT116WHM-N11 Product Specification	Rev.O	PAGE 7 OF 32

3.0 ELECTRICAL SPECIFICATIONS

3.1 Electrical Specifications

< Table 3. Electrical specifications >

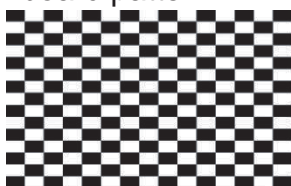
Ta=25+/-2°C

Parameter		Min.	Typ.	Max.	Unit	Remarks
Power Supply Voltage	V _{DD}	3.0	3.3	3.6	V	Note 1
Permissible Input Ripple Voltage	V _{RF}	-	-	100	mV	At V _{DD} = 3.3V
Power Supply Current	I _{DD}	-	227	-	mA	Note 1
Positive-going Input Threshold Voltage	V _{IT+}	-	-	100	mV	V _{cm} = 1.2V typ.
Negative-going Input Threshold Voltage	V _{IT-}	-100	-	-	mV	
Differential Input Voltage	V _{ID}	380	-	1200	mV	
Power Consumption	P _D	-	-	1.1	W	Note 1
	P _{BL}	-	-	1.8	W	Note 2
	P _{total}	-	-	2.9	W	

Notes : 1. The supply voltage is measured and specified at the interface connector of LCM.
The current draw and power consumption specified is for 3.3V at 25°C.

a) Typ : crosstalk 255

b) Max : 32x36 checkboard pattern



2. Calculated value for reference (V_{LED} × I_{LED})

 京东方 BOE	PRODUCT GROUP		REV	ISSUE DATE
	TFT- LCD PRODUCT		O	2015.01.09
SPEC. NUMBER S8-65-6A-85	BOE NT116WHM-N11 Product Specification		Rev.O	PAGE 8 OF 32

3.2 Backlight Unit

< Table 4. LED Driving guideline specifications >

Ta=25+/-2°C

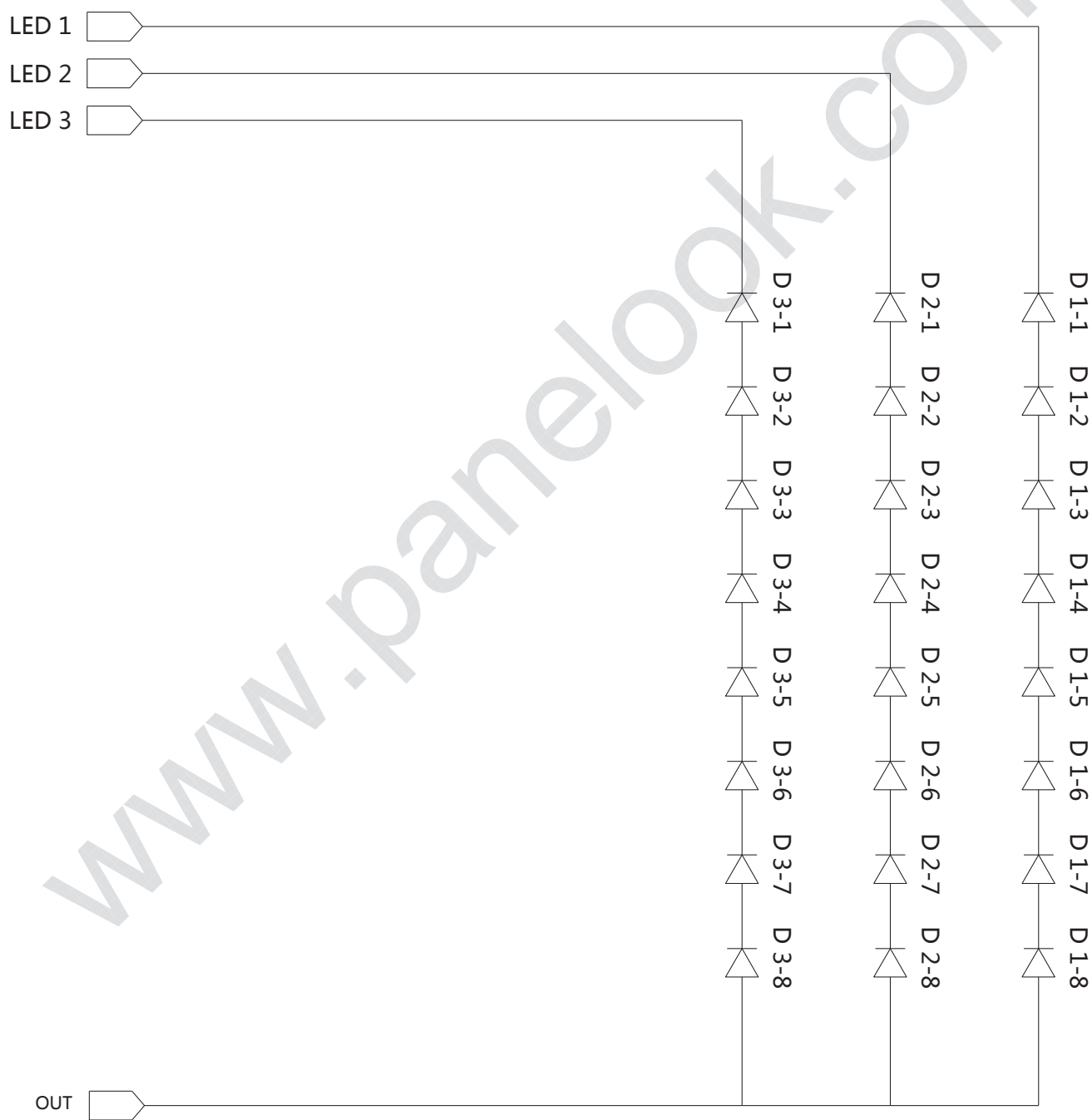
Parameter		Min.	Typ.	Max.	Unit	Remarks
LED Forward Voltage	V _F	-	-	3.0	V	-
LED Forward Current	I _F	-	21.6	-	mA	-
LED Power Consumption	P _{LED}	-	-	1.8	W	Note 1
LED Life-Time	N/A	15,000	-	-	Hour	I _F = 20mA
Power supply voltage for LED Driver	V _{LED}	5	12	21	V	
EN Control Level	Backlight on	2.2	-	5.0	V	
	Backlight off	0	-	0.6	V	
PWM Control Level	PWM High Level	2.2	-	5.0	V	
	PWM Low Level	0	-	0.6	V	
PWM Control Frequency	F _{PWM}	120	-	10,000	Hz	
Duty Ratio	-	1	-	100	%	

Notes : 1. Power supply voltage 12V for LED Driver, Driver efficiency 87%,
 Calculator Value for reference $I_F \times V_F \times 24 / 0.87 = P_{LED}$

2. The LED Life-time define as the estimated time to 50% degradation of initial luminous.

 京东方 BOE	PRODUCT GROUP	REV	ISSUE DATE
	TFT- LCD PRODUCT	O	2015.01.09
SPEC. NUMBER S8-65-6A-85	BOE NT116WHM-N11 Product Specification	Rev.O	PAGE 9 OF 32

3.3 LED structure 3*8



R2010-6053-O(3/3)

A4(210 X 297)

 京东方 BOE	PRODUCT GROUP		REV	ISSUE DATE
	TFT- LCD PRODUCT		O	2015.01.09
SPEC. NUMBER S8-65-6A-85	BOE NT116WHM-N11 Product Specification		Rev.O	PAGE 10 OF 32

4.0 OPTICAL SPECIFICATION

4.1 Overview

The test of Optical specifications shall be measured in a dark room (ambient luminance ≤ 1 lux and temperature = $25 \pm 2^\circ\text{C}$) with the equipment of Luminance meter system (Goniometer system and PR 730) and test unit shall be located at an approximate distance 50cm from the LCD surface at a viewing angle of θ and Φ equal to 0° . We refer to $\theta=0$ ($=\theta_3$) as the 3 o'clock direction (the "right"), $\theta=90$ ($=\theta_{12}$) as the 12 o'clock direction ("upward"), $\theta=180$ ($=\theta_9$) as the 9 o'clock direction ("left") and $\theta=270$ ($=\theta_6$) as the 6 o'clock direction ("bottom"). While scanning θ and/or Φ , the center of the measuring spot on the Display surface shall stay fixed. The backlight should be operating for 30 minutes prior to measurement. VDD shall be $3.3 \pm 0.3\text{V}$ at 25°C . Optimum viewing angle direction is 6 o'clock.

4.2 Optical Specifications

<Table 5. Optical Specifications>

Parameter		Symbol	Condition	Min.	Typ.	Max.	Unit	Remark
Viewing Angle range	Horizontal	θ_3	CR > 10	40	45	-	Deg.	Note 1
		θ_9		40	45	-	Deg.	
	Vertical	θ_{12}		15	20	-	Deg.	
		θ_6		30	40	-	Deg.	
Luminance Contrast ratio		CR	$\theta = 0^\circ$	450	500			Note 2
Luminance of White	5 Points	Y_w	$\theta = 0^\circ$ $I_{LED} = 21.6\text{mA}$	187	220	-	cd/m ²	Note 3
White Luminance uniformity	5 Points	ΔY_5		80	-	-		Note 4
	13 Points	ΔY_{13}		65	-	-		
White Chromaticity		x_w	$\theta = 0^\circ$	0.283	0.313	0.343		Note 5
		y_w		0.299	0.329	0.359		
Reproduction of color	Red	x_R	$\theta = 0^\circ$	0.560	0.580	0.600		
		y_R						
	Green	x_G		-0.03	0.580	+0.03		
		y_G						
	Blue	x_B		0.110	0.162			
		y_B						
Color Gamut				-	45	-	%	
Response Time (Rising + Falling)		T_{RT}	$T_a = 25^\circ\text{C}$ $\theta = 0^\circ$	-	12	16	ms	Note 6
Cross Talk		CT	$\theta = 0^\circ$	-	-	2.0	%	Note 7

 京东方 BOE	PRODUCT GROUP	REV	ISSUE DATE
	TFT- LCD PRODUCT	O	2015.01.09
SPEC. NUMBER S8-65-6A-85	BOE NT116WHM-N11 Product Specification	Rev.O	PAGE 11 OF 32

Notes :

1. Viewing angle is the angle at which the contrast ratio is greater than 10. The viewing angles are determined for the horizontal or 3, 9 o'clock direction and the vertical or 6, 12 o'clock direction with respect to the optical axis which is normal to the LCD surface (see FIGURE 1).

2. Contrast measurements shall be made at viewing angle of $\Theta = 0$ and at the center of the LCD surface. Luminance shall be measured with all pixels in the view field set first to white, then to the dark (black) state .
(see FIGURE 1) Luminance Contrast Ratio (CR) is defined mathematically.

$$CR = \frac{\text{Luminance when displaying a white raster}}{\text{Luminance when displaying a black raster}}$$

3. (with TP) Center Luminance of white is defined as luminance values of 5 point average across the LCD surface. Luminance shall be measured with all pixels in the view field set first to white. This measurement shall be taken at the locations shown in FIGURE 2 for a total of the measurements per display.

4. The White luminance uniformity on LCD surface is then expressed as : $\Delta Y = \text{Minimum Luminance of 5(or 13) points} / \text{Maximum Luminance of 5(or 13) points}$.
(see FIGURE 2 and FIGURE 3).

5. The color chromaticity coordinates specified in Table 5 shall be calculated from the spectral data measured with all pixels first in red, green, blue and white. Measurements shall be made at the center of the panel.

6. The electro-optical response time measurements shall be made as FIGURE 4 by switching the "data" input signal ON and OFF. The times needed for the luminance to change from 10% to 90% is T_r , and 90% to 10% is T_d .

7. Cross-Talk of one area of the LCD surface by another shall be measured by comparing the luminance (YA) of a 25mm diameter area, with all display pixels set to a gray level, to the luminance (YB) of that same area when any adjacent area is driven dark.
(See FIGURE 5).

 京东方 BOE	PRODUCT GROUP	REV	ISSUE DATE
	TFT- LCD PRODUCT	O	2015.01.09
SPEC. NUMBER S8-65-6A-85	BOE NT116WHM-N11 Product Specification	Rev.O	PAGE 12 OF 32

4.3 Optical measurements

Figure 1. Measurement Set Up

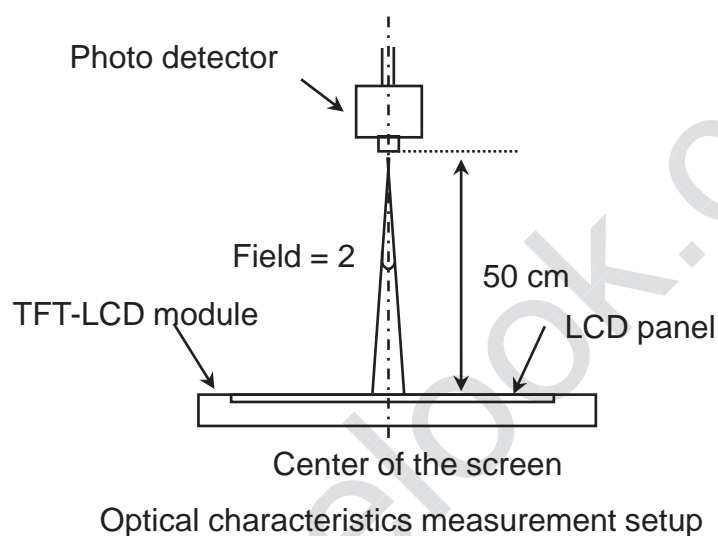
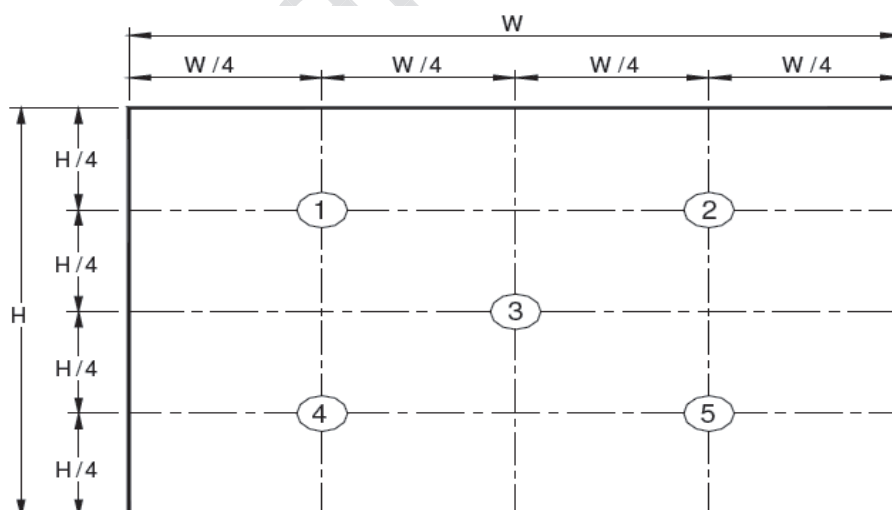


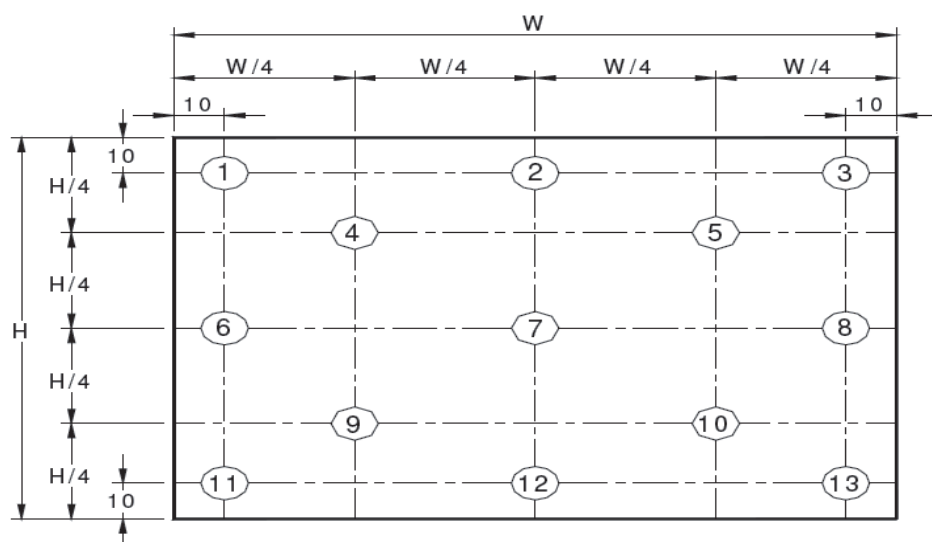
Figure 2. White Luminance and Uniformity Measurement Locations (5 points)



Center Luminance of white is defined as luminance values of center 5 points across the LCD surface. Luminance shall be measured with all pixels in the view field set first to white. This measurement shall be taken at the locations shown in FIGURE 2 for a total of the measurements per display.

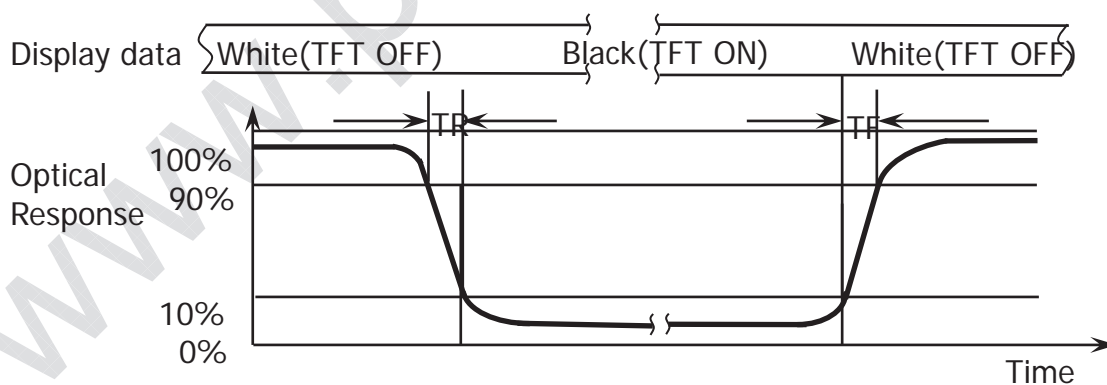
 京东方 BOE	PRODUCT GROUP	REV	ISSUE DATE
	TFT- LCD PRODUCT	O	2015.01.09
SPEC. NUMBER S8-65-6A-85	BOE NT116WHM-N11 Product Specification	Rev.O	PAGE 13 OF 32

Figure 3. Uniformity Measurement Locations (13 points)



The White luminance uniformity on LCD surface is then expressed as : $\Delta Y_5 = \text{Minimum Luminance of five points} / \text{Maximum Luminance of five points}$ (see FIGURE 2) , $\Delta Y_{13} = \text{Minimum Luminance of 13 points} / \text{Maximum Luminance of 13 points}$ (see FIGURE 3).

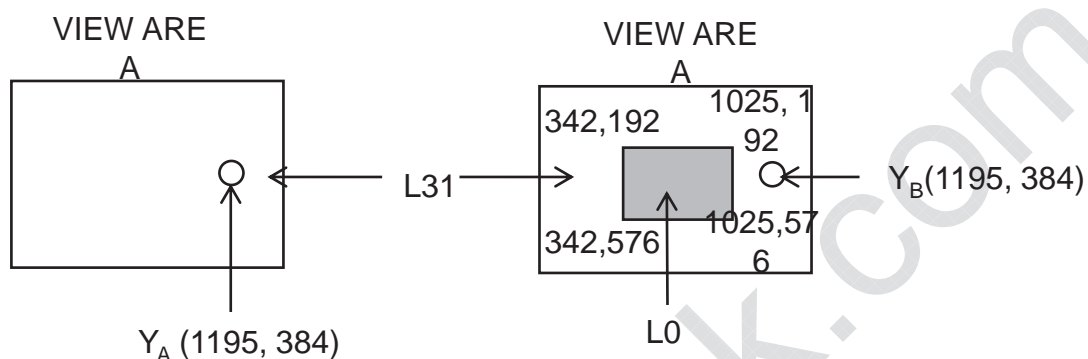
Figure 4. Response Time Testing



The electro-optical response time measurements shall be made as shown in FIGURE 4 by switching the “data” input signal ON and OFF. The times needed for the luminance to change from 10% to 90% is T_d and 90% to 10% is T_r .

 京东方 BOE	PRODUCT GROUP	REV	ISSUE DATE
	TFT- LCD PRODUCT	O	2015.01.09
SPEC. NUMBER S8-65-6A-85	BOE NT116WHM-N11 Product Specification	Rev.O	PAGE 14 OF 32

Figure 5. Cross Modulation Test Description



$$\text{Cross-Talk (\%)} = \left| \frac{Y_B - Y_A}{Y_A} \right| \times 100$$


Where:

Y_A = Initial luminance of measured area (cd/m²)

Y_B = Subsequent luminance of measured area (cd/m²)

The location measured will be exactly the same in both patterns

Cross-Talk of one area of the LCD surface by another shall be measured by comparing the luminance (Y_A) of a 25mm diameter area, with all display pixels set to a gray level, to the luminance (Y_B) of that same area when any adjacent area is driven dark (Refer to FIGURE 5).

 京东方 BOE	PRODUCT GROUP	REV	ISSUE DATE
	TFT- LCD PRODUCT	O	2015.01.09
SPEC. NUMBER S8-65-6A-85	BOE NT116WHM-N11 Product Specification	Rev.O	PAGE 15 OF 32

5.0 INTERFACE CONNECTION.

5.1 Electrical Interface Connection

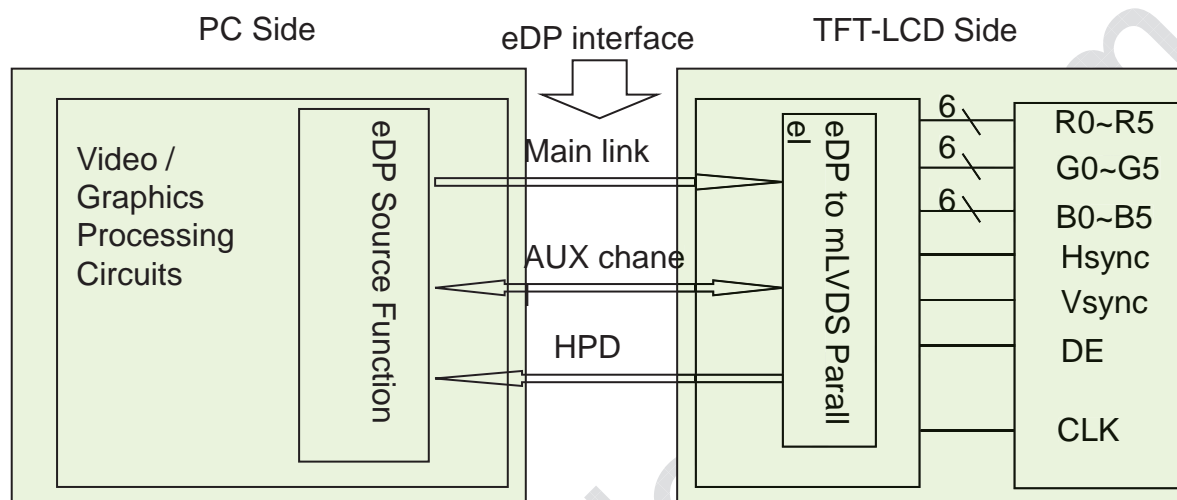
The electronics interface connector is UJU. The mating connector part number is I-PEX 20454-030T or Compatible. The connector interface pin assignments are listed in Table 6.

<Table 6. Pin Assignments for the Interface Connector>

Terminal	Symbol	Functions
Pin No.	Symbol	Description
1	NC	No Connection
2	H_GND	Ground
3	NC	No Connection
4	NC	No Connection
5	H_GND	Ground
6	LANE0_N	eDP RX channel 0 negative
7	LANE0_P	eDP RX channel 0 positive
8	H_GND	Ground
9	AUX_CH_P	eDP AUX CH positive
10	AUX_CH_N	eDP AUX CH negative
11	H_GND	Ground
12	LCD_VCC	Power Supply, 3.3V (typ.)
13	LCD_VCC	Power Supply, 3.3V (typ.)
14	NC	No Connection
15	H_GND	Ground
16	H_GND	Ground
17	HPD	Hot plug detect output
18	BL_GND	LED Ground
19	BL_GND	LED Ground
20	BL_GND	LED Ground
21	BL_GND	LED Ground
22	BL_ENABLE	LED enable pin(+3.3V Input)
23	BL_PWM	System PWM Signal Input
24	NC	No Connection
25	NC	No Connection
26	BL_POWER	LED Power Supply 5V-21V
27	BL_POWER	LED Power Supply 5V-21V
28	BL_POWER	LED Power Supply 5V-21V
29	BL_POWER	LED Power Supply 5V-21V
30	NC	No Connection

 京东方 BOE	PRODUCT GROUP	REV	ISSUE DATE
	TFT- LCD PRODUCT	O	2015.01.09
SPEC. NUMBER S8-65-6A-85	BOE NT116WHM-N11 Product Specification	Rev.O	PAGE 16 OF 32

5.2. eDP Interface



Note. Transmitter : Parade DP501 or equivalent.
Transmitter is not contained in Module.

 京东方 BOE	PRODUCT GROUP	REV	ISSUE DATE
	TFT- LCD PRODUCT	O	2015.01.09
SPEC. NUMBER S8-65-6A-85	BOE NT116WHM-N11 Product Specification	Rev.O	PAGE 17 OF 32

5.3.eDP Input signal

Lane0	
R0-5:0	G0-5:4
G0-3:0	B0-5:2
B0-1:0	R1-5:0
G1-5:0	B1-5:4
B1-3:0	R2-5:2
R2-1:0	G2-5:0
B2-5:0	R3-5:4
R3-3:0	G3-5:2
G3-1:0	B3-5:0

5.4 Back-light & LCM Interface Connection

Interface Connector: PF040-B09B-C09

<Table 7. Pin Assignments for the BLU & LCM Connector>

Pin No.	Symbol	Description	Pin No.	Symbol	Description
1	LED1	LED cathode connection	6	NC	No Connection
2	LED2	LED cathode connection	7	Vout	LED anode connection
3	LED3	LED cathode connection	8	Vout	LED anode connection
4	NC	No Connection	9	Vout	LED anode connection
5	NC	No Connection			

 京东方 BOE	PRODUCT GROUP	REV	ISSUE DATE
	TFT- LCD PRODUCT	O	2015.01.09
SPEC. NUMBER S8-65-6A-85	BOE NT116WHM-N11 Product Specification	Rev.O	PAGE 18 OF 32

6.0 SIGNAL TIMING SPECIFICATION

6.1 The NT116WHM-N11 is operated by the DE only.

Item		Symbols	Min	Typ	Max	Unit
Clock	Frequency	1/Tc	67.5	72.3	76.3	MHz
	High Time	Tch	-	4/7	-	Tc
	Low Time	Tcl	-	3/7	-	Tc
Frame Period		Tv	778	790	802	lines
			-	60	-	Hz
			-	16.7	-	ms
Vertical Display Period		Tvd	768	768	768	lines
One line Scanning Period		Th	1446	1526	1586	clocks
Horizontal Display Period		Thd	1366	1366	1366	clocks

Note : This module can support low frame refresh rate 50Hz&40Hz.

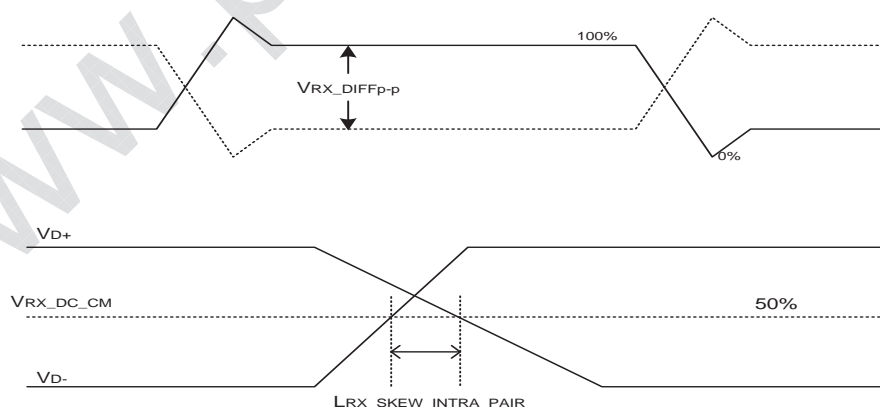
 京东方 BOE	PRODUCT GROUP		REV	ISSUE DATE
	TFT- LCD PRODUCT		O	2015.01.09
SPEC. NUMBER S8-65-6A-85	BOE NT116WHM-N11 Product Specification		Rev.O	PAGE 19 OF 32

6.2 eDP Rx Interface Timing Parameter

The specification of the eDP Rx interface timing parameter is shown in Table 9.

<Table 8. eDP Rx Interface Timing Specification>

Item	Symbol	Min	Typ	Max	Unit	Remark
Spread spectrum clock	ssc		0.5		%	
Differential peak-to-peak input voltage at package pins	VRX-DIFFp-p	100	0	1320	mV	
Rx input DC common mode voltage	VRX_DC_CM	-	GND	-	V	
Differential termination resistance	RRX-DIFF	80	100	120	Ω	
Single-ended termination resistance	RRX-SE	40	50	60	Ω	
Rx short circuit current limit	IRX_SHORT	-	-	20	mA	
Intra-pair skew at Rx package pins (HBR) RX intra-pair skew tolerance at HBR	LRX_SKEW_INTRA_PAIR	-	-	150	ps	



 京东方 BOE	PRODUCT GROUP	REV	ISSUE DATE
	TFT- LCD PRODUCT	O	2015.01.09
SPEC. NUMBER S8-65-6A-85	BOE NT116WHM-N11 Product Specification	Rev.O	PAGE 20 OF 32

7.0 INPUT SIGNALS, BASIC DISPLAY COLORS & GRAY SCALE OF COLORS

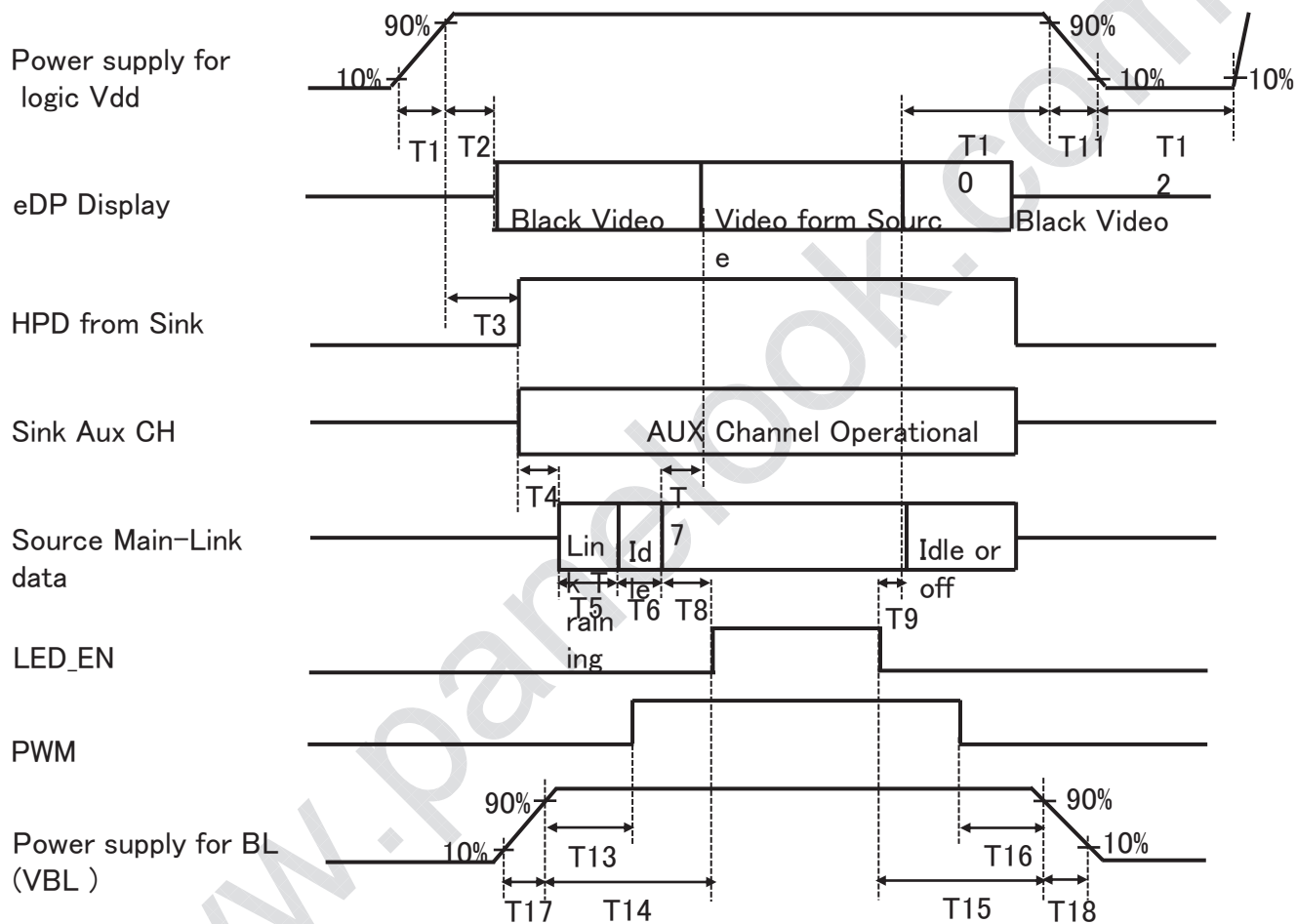
	Colors & Gray scale	Data signal																	
		R0	R1	R2	R3	R4	R5	G0	G1	G2	G3	G4	G5	B0	B1	B2	B3	B4	B5
Basic colors	Black	0	0	0	0	0	0	0	0	0	0	0	0	0	0	0	0	0	0
	Blue	0	0	0	0	0	0	0	0	0	0	0	0	1	1	1	1	1	1
	Green	0	0	0	0	0	0	1	1	1	1	1	1	0	0	0	0	0	0
	Light Blue	0	0	0	0	0	0	1	1	1	1	1	1	1	1	1	1	1	1
	Red	1	1	1	1	1	1	0	0	0	0	0	0	0	0	0	0	0	0
	Purple	1	1	1	1	1	1	0	0	0	0	0	0	1	1	1	1	1	1
	Yellow	1	1	1	1	1	1	1	1	1	1	1	1	0	0	0	0	0	0
	White	1	1	1	1	1	1	1	1	1	1	1	1	1	1	1	1	1	1
Gray scale of Red	Black	0	0	0	0	0	0	0	0	0	0	0	0	0	0	0	0	0	0
	△	1	0	0	0	0	0	0	0	0	0	0	0	0	0	0	0	0	0
	Darker	0	1	0	0	0	0	0	0	0	0	0	0	0	0	0	0	0	0
	△																		
	▽																		
	Brighter	1	0	1	1	1	1	0	0	0	0	0	0	0	0	0	0	0	0
Gray scale of Green	Black	0	0	0	0	0	0	0	0	0	0	0	0	0	0	0	0	0	0
	△	0	0	0	0	0	0	1	0	0	0	0	0	0	0	0	0	0	0
	Darker	0	0	0	0	0	0	0	1	0	0	0	0	0	0	0	0	0	0
	△																		
	▽																		
	Brighter	0	0	0	0	0	0	1	0	1	1	1	1	0	0	0	0	0	0
Gray scale of Blue	Black	0	0	0	0	0	0	0	0	0	0	0	0	0	0	0	0	0	0
	△	0	0	0	0	0	0	0	0	0	0	0	0	1	0	0	0	0	0
	Darker	0	0	0	0	0	0	0	0	0	0	0	0	0	1	0	0	0	0
	△																		
	▽																		
	Brighter	0	0	0	0	0	0	0	0	0	0	0	0	1	0	1	1	1	1
Gray scale of White & Black	Black	0	0	0	0	0	0	0	0	0	0	0	0	0	0	0	0	0	0
	△	1	0	0	0	0	0	1	0	0	0	0	0	1	0	0	0	0	0
	Darker	0	1	0	0	0	0	0	1	0	0	0	0	0	1	0	0	0	0
	△																		
	▽																		
	Brighter	1	0	1	1	1	1	1	0	1	1	1	1	1	0	1	1	1	1
White	1	1	1	1	1	1	1	1	1	1	1	1	1	1	1	1	1	1	



 京东方 BOE	PRODUCT GROUP	REV	ISSUE DATE
	TFT- LCD PRODUCT	O	2015.01.09
SPEC. NUMBER S8-65-6A-85	BOE NT116WHM-N11 Product Specification	Rev.O	PAGE 21 OF 32

8.0 POWER SEQUENCE

To prevent a latch-up or DC operation of the LCD module, the power on/off sequence shall be as shown in below



- 0.5ms ≤ T1 ≤ 10 ms
- 0ms ≤ T2 ≤ 200 ms
- 0ms ≤ T3 ≤ 200 ms
- 0ms ≤ T13
- 0ms ≤ T14
- 0ms ≤ T17
- 0ms ≤ T7 ≤ 50ms
- 0ms ≤ T10 ≤ 500 ms
- 0 ms ≤ T11 ≤ 10 ms
- 500ms ≤ T12
- 0ms ≤ T15
- 0ms ≤ T16
- 0ms ≤ T18

Notes:

1. When the power supply VDD is 0V, keep the level of input signals on the low or keep high impedance.
2. Do not keep the interface signal high impedance when power is on. Back Light must be turn on after power for logic and interface signal are valid.

 京东方 BOE	PRODUCT GROUP	REV	ISSUE DATE
	TFT- LCD PRODUCT	O	2015.01.09
SPEC. NUMBER S8-65-6A-85	BOE NT116WHM-N11 Product Specification	Rev.O	PAGE 22 OF 32

9.0 Connector Description

Physical interface is described as for the connector on LCM.

These connectors are capable of accommodating the following signals and will be following components.

9.1 TFT LCD Module

Connector Name /Description	For Signal Connector
Manufacturer	UJU
Type/ Part Number	IS050-L30B-C10
Mating housing/ Part Number	I-PEX 20454-030T or Compatible

 京东方 BOE	PRODUCT GROUP	REV	ISSUE DATE
	TFT- LCD PRODUCT	O	2015.01.09
SPEC. NUMBER S8-65-6A-85	BOE NT116WHM-N11 Product Specification	Rev.O	PAGE 23 OF 32

10.0 MECHANICAL CHARACTERISTICS

10.1 Dimensional Requirements

FIGURE 6 shows mechanical outlines for the model NT16WHM-N11.
Other parameters are shown in Table 9.

<Table 9. Dimensional Parameters>

Parameter	Specification	Unit
Active Area	256.125 (H) × 144 (V)	
Number of pixels	1366 (H) × 768 (V)	
Pixel pitch	0.1875 (H) X 0.1875 (V)	
Pixel arrangement	RGB Vertical stripe	
Display colors	262K	
Display mode	Normally white	
Dimensional outline	268±0.5(H)*168±0.5(V)*3.6(Max)	mm
Weight	235 (max)	gram

10.2 Mounting

See FIGURE 6.

10.3 Anti-Glare and Polarizer Hardness.

The surface of the LCD has an AG coating to minimize reflection and a coating to reduce scratching.

10.4 Light Leakage

There shall not be visible light from the back-lighting system around the edges of the screen as seen from a distance 50cm from the screen with an overhead light level of 350lux.

 京东方 BOE	PRODUCT GROUP	REV	ISSUE DATE
	TFT- LCD PRODUCT	O	2015.01.09
SPEC. NUMBER S8-65-6A-85	BOE NT116WHM-N11 Product Specification	Rev.O	PAGE 24 OF 32

11.0 RELIABILITY TEST

The Reliability test items and its conditions are shown in below.

<Table 10. Reliability test>

No	Test Items	Conditions
1	High temperature storage test	Ta = 60 °C, 240 hrs
2	Low temperature storage test	Ta = -20 °C, 240 hrs
3	High temperature & high humidity operation test	Ta = 50 °C, 80%RH, 240 hrs
4	High temperature operation test	Ta = 50 °C, 240 hrs
5	Low temperature operation test	Ta = 0 °C, 240 hrs
6	Thermal shock	Ta = -20 °C ↔ 60 °C (0.5 hr), 100 cycle
7	Vibration test (non-operating)	1.5G, 10~500Hz, Half Sine X,Y,Z / Sweep rate : 1 hour
8	Shock test (non-operating)	220G, Half Sine Wave 2msec ±X, ±Y, ±Z Once for each direction
9	Electro-static discharge test (non-operating)	Air : 150 pF, 330Ω, 15 KV Contact : 150 pF, 330Ω, 8 KV

12.0 HANDLING & CAUTIONS

(1) Cautions when taking out the module

- Pick the pouch only, when taking out module from a shipping package.

(2) Cautions for handling the module

- As the electrostatic discharges may break the LCD module, handle the LCD module with care. Peel a protection sheet off from the LCD panel surface as slowly as possible.
- As the LCD panel and back - light element are made from fragile glass material, impulse and pressure to the LCD module should be avoided.
- As the surface of the polarizer is very soft and easily scratched, use a soft dry cloth without chemicals for cleaning.
- Do not pull the interface connector in or out while the LCD module is operating.
- Put the module display side down on a flat horizontal plane.
- Handle connectors and cables with care.

(3) Cautions for the operation

- When the module is operating, do not lose CLK, ENAB signals. If any one of these signals is lost, the LCD panel would be damaged.
- Obey the supply voltage sequence. If wrong sequence is applied, the module would be damaged.

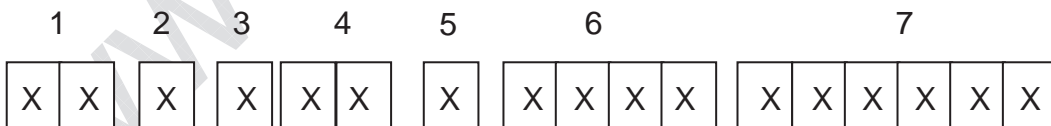


	PRODUCT GROUP	REV	ISSUE DATE
	TFT- LCD PRODUCT	O	2015.01.09
SPEC. NUMBER S8-65-6A-85	BOE NT116WHM-N11 Product Specification	Rev.O	PAGE 25 OF 32

- (4) Cautions for the atmosphere
 - Dew drop atmosphere should be avoided.
 - Do not store and/or operate the LCD module in a high temperature and/or humidity atmosphere. Storage in an electro-conductive polymer packing pouch and under relatively low temperature atmosphere is recommended.
- (5) Cautions for the module characteristics
 - Do not apply fixed pattern data signal to the LCD module at product aging.
 - Applying fixed pattern for a long time may cause image sticking.
- (6) Other cautions
 - Do not disassemble and/or re-assemble LCD module.
 - Do not re-adjust variable resistor or switch etc.
 - When returning the module for repair or etc., Please pack the module not to be broken. We recommend to use the original shipping packages.

13.0 LABEL

(1) Product label




Type designation	No 5. Month (1, 2, 3, ..., 9, X, Y, Z)
No 1. Control Number	No 6. Product Identification (FG)
No 2. Rank / Grade	No 7. Serial Number
No 3. Line classification	
No 4. Year (10 : 2010, 11: 2011, ...)	



 京东方 BOE	PRODUCT GROUP	REV	ISSUE DATE
	TFT- LCD PRODUCT	O	2015.01.09
SPEC. NUMBER S8-65-6A-85	BOE NT116WHM-N11 Product Specification	Rev.O	PAGE 26 OF 32

(2) High voltage caution label

	HIGH VOLTAGE CAUTION	COLD CATHODE FLUORESCENT LAMP IN LCD PANEL CONTAINS A SMALL AMOUNT OF MERCURY. PLEASE FOLLOW LOCAL OR- DINANCES OR REGULATIONS FOR DISPOSAL.
	RISK OF ELECTRIC SHOCK. DISCONNECT THE ELECTRIC POWER BEFORE SERVICING	

(3) Box label

Label Size: 110 mm (L) × 56 mm (W)

Contents

Model: NT116WHM-N11

Q`ty: Module Q`ty in one box

Serial No.: Box Serial No. See next figure for detail description.

Date: Packing Date

Internal use of Product

 京东方 BOE		BEIJING BOE DISPLAY TECHNOLOGY	
MODEL:	NT116WHM-N11 V4.0	Q`TY:	40
SERIAL NO:	XXXXXXXXXXXXXX	DATE:	201X/XX/XX
			
XXXX			

SERIA NO	1	2	3	4	5	6	7	8	9	10	11	12	13
code	X	X	X	X	X	X	X	X	X	X	X	X	X
Description	GBN		Grade	Line	Year		Month	Rev	Serial No.				

 京东方 BOE	PRODUCT GROUP	REV	ISSUE DATE
	TFT- LCD PRODUCT	O	2015.01.09
SPEC. NUMBER S8-65-6A-85	BOE NT116WHM-N11 Product Specification	Rev.O	PAGE 27 OF 32

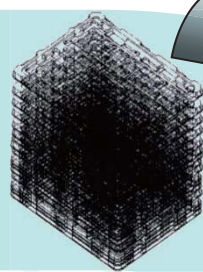
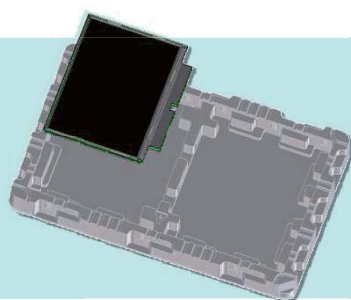
14.0 PACKING INFORMATION

14.1 Packing order

- Put 2pcs panel into the tray.
- 2pcs/Tray

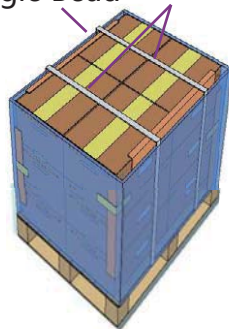
- Put 21pcs Tray into PE Bag
- 40pcs panel /PE Bag

step
1

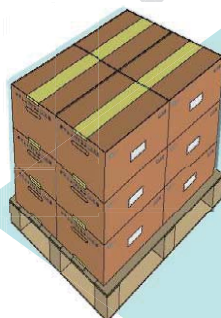


step
2

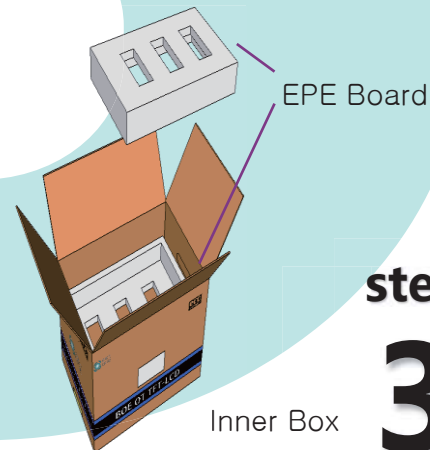
Angle Bead Belt



step
4



- 12ea Box/Pallet
- 480pcs/Pallet



step
3

- Put EPE Board into inner box, and then PE Bag, cover the other EPE Board.
- 40pcs/Inner Box

14.2 Notes

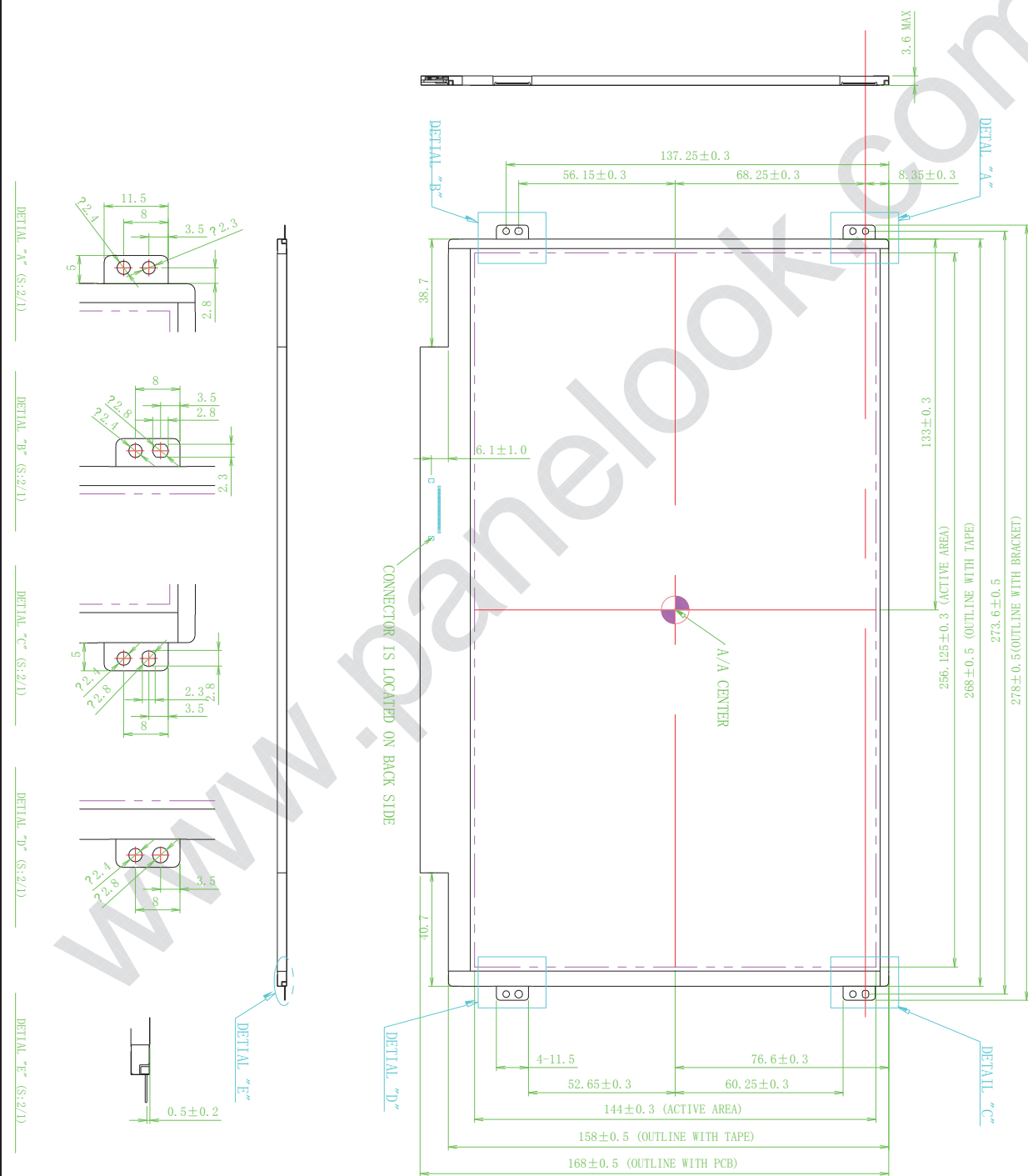
- Box Dimension: 550mm(W) x 470mm(D) x 290mm(H)
- Package Quantity in one Box: 40pcs
- Total Weight: 16kg



 京东方 BOE	PRODUCT GROUP	REV	ISSUE DATE
	TFT- LCD PRODUCT	O	2015.01.09
SPEC. NUMBER S8-65-6A-85	BOE NT116WHM-N11 Product Specification	Rev.O	PAGE 28 OF 32

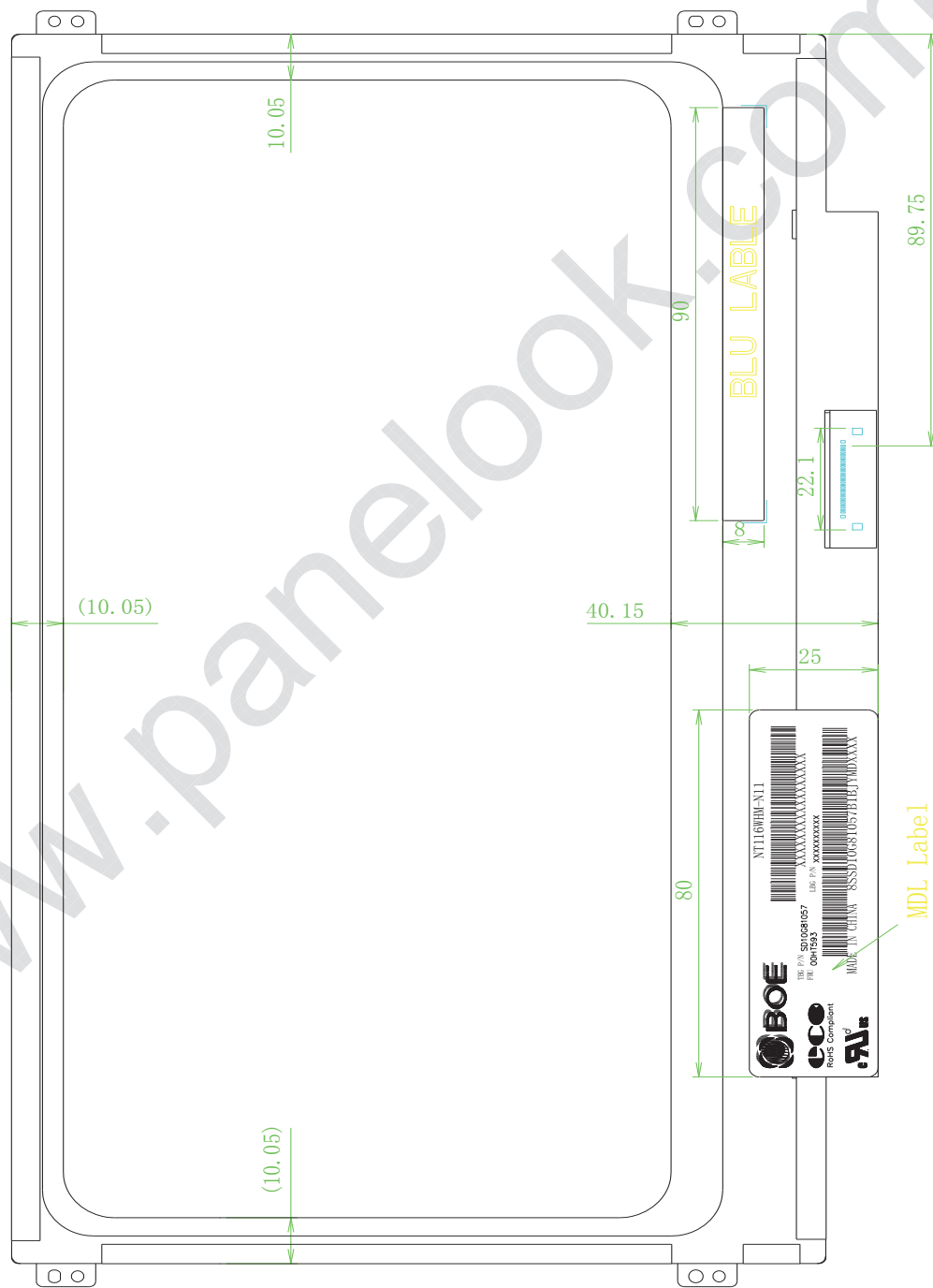
15.0 MECHANICAL OUTLINE DIMENSION

Figure 6. TFT-LCD Module Outline Dimension (Front View)



 京东方 BOE	PRODUCT GROUP	REV	ISSUE DATE
	TFT- LCD PRODUCT	O	2015.01.09
SPEC. NUMBER S8-65-6A-85	BOE NT116WHM-N11 Product Specification	Rev.O	PAGE 29 OF 32

Figure 7. TFT-LCD Module Outline Dimensions (Rear view)



 京东方 BOE	PRODUCT GROUP	REV	ISSUE DATE
	TFT- LCD PRODUCT	O	2015.01.09
SPEC. NUMBER S8-65-6A-85	BOE NT116WHM-N11 Product Specification	Rev.O	PAGE 30 OF 32

Address (HEX)	Function	Hex	Dec	crc	Input values.	Notes
00	Header	00	0		0	EDID Header
01		FF	255		255	
02		FF	255		255	
03		FF	255		255	
04		FF	255		255	
05		FF	255		255	
06		FF	255		255	
07		00	0		0	
08	ID Manufacturer Name	09	9		BOE	ID = BOE
09		E5	229			
0A	ID Product Code	08	8		1544	ID = 1544
0B		06	6			
0C	32-bit serial No.	00	0			
0D		00	0			
0E		00	0			
0F		00	0			
10	Week of manufacture	01	1		1	
11	Year of Manufacture	18	24		2014	Manufactured in 2014
12	EDID Structure Ver.	01	1		1	EDID Ver 1.0
13	EDID revision #	04	4		4	EDID Rev. 0.4
14	Video input definition	95	149		-	digital signal/DP input
15	Max H image size	1A	26		26	26 cm (Approx)
16	Max V image size	0F	15		15	15 cm (Approx)
17	Display Gamma	78	120		2.2	Gamma curve = 2.2
18	Feature support	02	2			RGB display, Preferred Timming mode/RGB 4:4:4
19	Red/Green low bits	5D	93		-	Red / Green Low Bits
1A	Blue/White low bits	40	64		-	Blue / White Low Bits
1B	Red x high bits	94	148	593	0.58	Red (x) = 10010100 (0.58)
1C	Red y high bits	5B	91	365	0.357	Red (y) = 01011011 (0.357)
1D	Green x high bits	57	87	351	0.343	Green (x) = 01010111 (0.343)
1E	Green y high bits	94	148	593	0.58	Green (y) = 10010100 (0.58)
1F	Blue x high bits	29	41	165	0.162	Blue (x) = 00101001 (0.162)
20	BLue y high bits	1C	28	112	0.11	Blue (y) = 00011100 (0.11)

R2010-6053-O(3/3)

A4(210 X 297)

 京东方 BOE	PRODUCT GROUP	REV	ISSUE DATE
	TFT- LCD PRODUCT	O	2015.01.09
SPEC. NUMBER S8-65-6A-85	BOE NT116WHM-N11 Product Specification	Rev.O	PAGE 31 OF 32

16.0 EDID Table

Address (HEX)	Function	Hex	Dec	crc	Input values.	Notes
21	White x high bits	50	80	320	0.313	White (x) = 01010000 (0.313)
22	White y high bits	54	84	336	0.329	White (y) = 01010100 (0.329)
23	Established timing 1	00	0		-	
24	Established timing 2	00	0		-	
25	Established timing 3	00	0		-	
26	Standard timing #1	01	1			Not Used
27		01	1			
28	Standard timing #2	01	1			Not Used
29		01	1			
2A	Standard timing #3	01	1			Not Used
2B		01	1			
2C	Standard timing #4	01	1			Not Used
2D		01	1			
2E	Standard timing #5	01	1			Not Used
2F		01	1			
30	Standard timing #6	01	1			Not Used
31		01	1			
32	Standard timing #7	01	1			Not Used
33		01	1			
34	Standard timing #8	01	1			Not Used
35		01	1			
36	Detailed timing/monitor descriptor #1	3E	62		72.3	72.3MHz Main clock
37		1C	28			
38		56	86		1366	Hor Active = 1366
39		A0	160		160	Hor Blanking = 160
3A		50	80		-	4 bits of Hor. Active + 4 bits of Hor. Blanking
3B		00	0		768	Ver Active = 768
3C		16	22		22	Ver Blanking = 22
3D		30	48		-	4 bits of Ver. Active + 4 bits of Ver. Blanking
3E		30	48		48	Hor Sync Offset = 48
3F		20	32		32	H Sync Pulse Width = 32
40		36	54		3	V sync Offset = 3 line
41		00	0		6	V Sync Pulse width : 6 line
42		00	0		256	Horizontal Image Size = 256 mm (Low 8 bits)
43		90	144		144	Vertical Image Size = 144 mm (Low 8 bits)
44		10	16		-	4 bits of Hor Image Size + 4 bits of Ver Image Size
45		00	0		0	Hor Border (pixels)
46		00	0		0	Vertical Border (Lines)
47	1A	26			Refer to right table	

R2010-6053-O(3/3)

A4(210 X 297)

	PRODUCT GROUP	REV	ISSUE DATE
	TFT- LCD PRODUCT	O	2015.01.09
SPEC. NUMBER S8-65-6A-85	BOE NT116WHM-N11 Product Specification	Rev.O	PAGE 32 OF 32

Address (HEX)	Function	Hex	Dec	crc	Input values.	Notes	
48	Detailed timing/monit or descriptor #2	00	0		0.0	0MHz Main clock	
49			00	0			
4A			00	0		0	Hor Active = 0
4B			00	0		0	Hor Blanking = 0
4C			00	0		-	4 bits of Hor. Active + 4 bits of Hor. Blanking
4D			00	0		0	Ver Active = 768
4E			00	0		0	Ver Blanking = 0
4F			00	0		-	4 bits of Ver. Active + 4 bits of Ver. Blanking
50			00	0		0	Hor Sync Offset = 0
51			00	0		0	H Sync Pulse Width = 0
52			00	0		0	V sync Offset = 0 line
53			00	0		0	V Sync Pulse width : 0 line
54			00	0		0	Horizontal Image Size = 0 mm (Low 8 bits)
55			00	0		0	Vertical Image Size = 0 mm (Low 8 bits)
56			00	0		-	4 bits of Hor Image Size + 4 bits of Ver Image Size
57			00	0		0	Hor Border (pixels)
58			00	0		0	Vertical Border (Lines)
59			1A	26			
5A		Detailed timing/monit or descriptor #3	00	0			ASCII Data Sting Tag
5B	00		0				
5C	00		0				
5D	FE		254				
5E	00		0				
5F	42		66		B		
60	4F		79		O		
61	45		69		E		
62	20		32				
63	44		68		D		
64	54	84		T			
65	0A	10			Manufacture name : BOEDT		
66	20	32					
67	20	32					
68	20	32					
69	20	32					
6A	20	32					
6B	20	32					
6C	00	0				Product Name Tag (ASCII)	
6D	00	0					
6E	00	0					
6F	FE	254					
70	00	0			Model name : NT116WHM-N11		
71	4E	78		N			
72	54	84		T			
73	31	49		1			
74	31	49		1			
75	36	54		6			
76	57	87		W			
77	48	72		H			
78	4D	77		M			
79	2D	45		-			
7A	4E	78		N			
7B	31	49		1			
7C	31	49		1			
7D	0A	10					
7E	Extension flag	00	0				
7F	Checksum	A3	163	163		-	